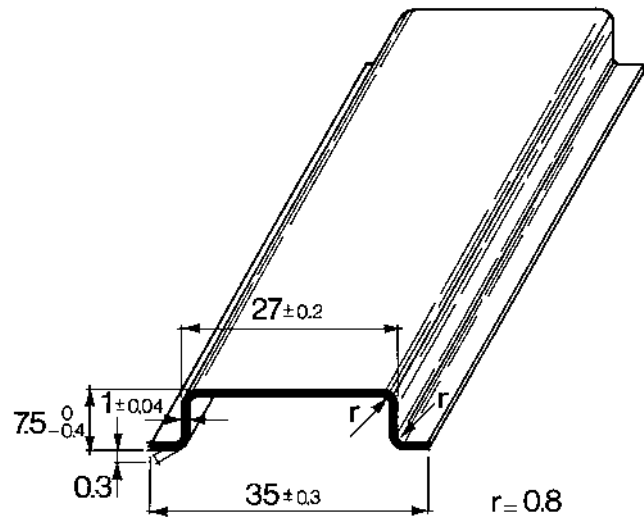
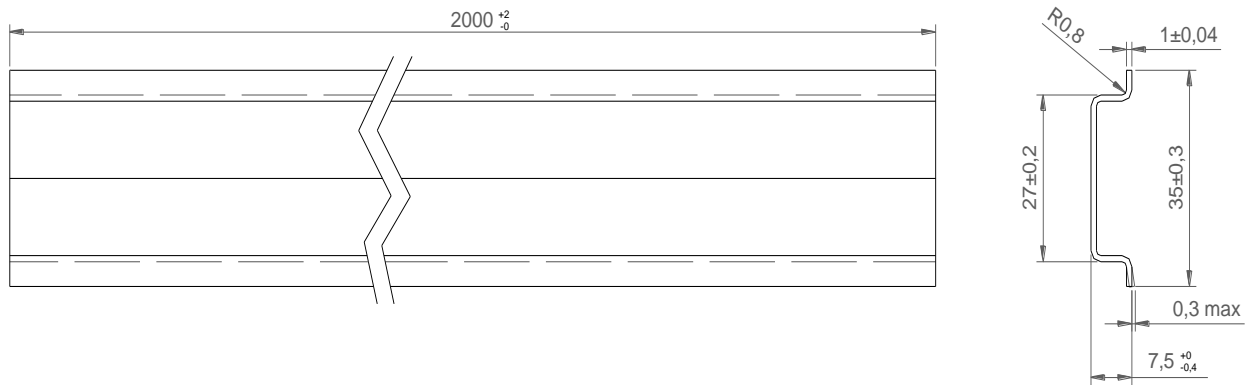




ARTICLE DETAILS

ARTICLE	DESCRIPTION
013021 002 00001	TS 35 EN 60715 RIGA 2 mt SZ.





ARTICLE DETAILS

ARTICLE	DESCRIPTION
013021 002 00001	TS 35 EN 60715 RIGA 2 mt SZ.

Technical Specifications

Our DIN Rails are produced in conformity with the **EN 60715 Standard**.

Our Sendzimir galvanized DIN rails are produced with the employ of the following type of material:

Raw material

Steel type DX51D+Z200 according to EN 10346:2009

Authorized signatory for Profilati Lonatesi S.r.l.

Paolo TESTA /

/ 27th November 2015 /

Sales Manager

Printed Name /

Signed for and behalf of
Profilati Lonatesi S.r.l.

/ Date /

Title