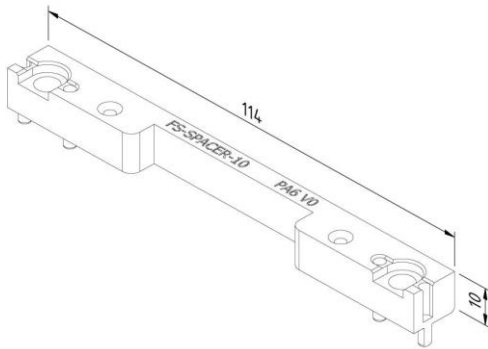


Technical specifications

SPACER (Spacer)



Category:

SPACER

Product features:

Material: PA6 V0 (flame retardant)

Additional product information:

The spacers are used to raise INOX service units with a straight upright edge (FS-HC-SQ-260-SS304 / FS-TF(13)-SQ-260-SS304 / FS-BC(13)-SQ-260-WP-SS304)

They are placed between the green adjustable frame and the service unit

Service unit and spacers are simultaneously fixed on the green control frame

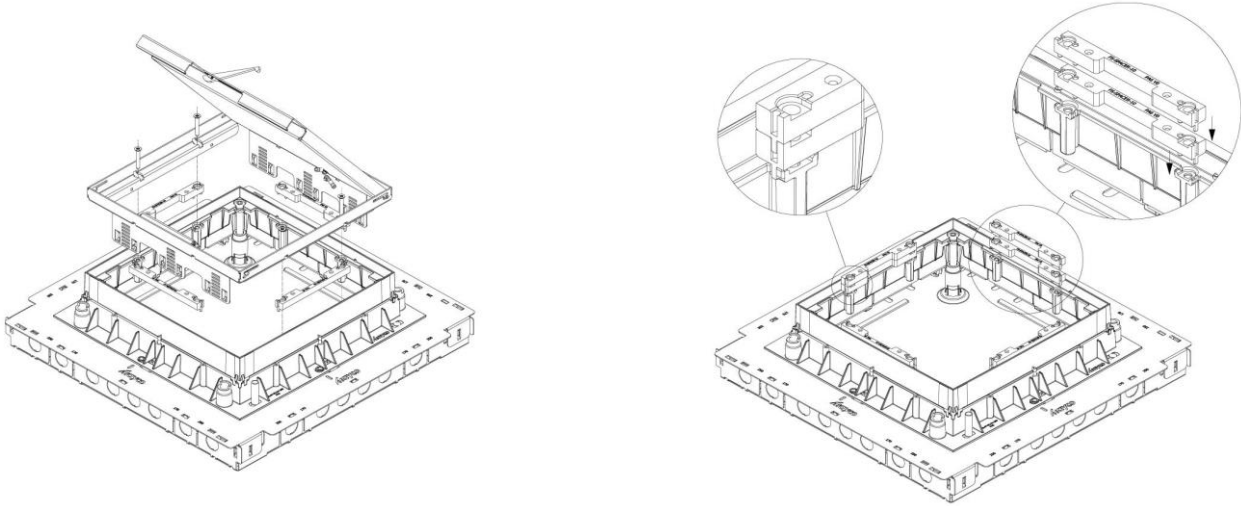
Use 4 or 8 spacers to obtain a stable support (see table)

The spacers can be interlocked

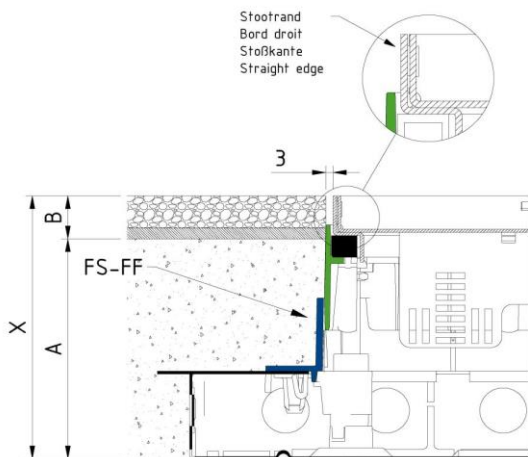
Depending on the height of the chosen floor box, the number of fixed frames and the total floor height, one can deduce from the table whether and how many spacers one needs per service unit

Execution:	Polyamide, black							
Product	Number	Height (mm)	Width (mm)	Length (mm)	Dim A (mm)	Fmax (kN)	Unit	Packaging (unit)
FS-SPACER-10-PA9011	16032	10					ST	4

Mounting instructions:



Additional mounting information:



# spacers	0	4	8
BOX 28 (1x FS-FF)	72 < X < 100	99 < X < 110	109 < X < 120
BOX 28 (2x FS-FF)	106 < X < 134	133 < X < 144	143 < X < 154
BOX 28 (3x FS-FF)	140 < X < 168	167 < X < 178	177 < X < 188
BOX 38 (1x FS-FF)	79 < X < 110	109 < X < 120	119 < X < 130
BOX 38 (2x FS-FF)	113 < X < 144	143 < X < 154	153 < X < 164
BOX 38 (3x FS-FF)	147 < X < 178	177 < X < 188	187 < X < 198
BOX 48 (1x FS-FF)	89 < X < 120	119 < X < 130	129 < X < 140
BOX 48 (2x FS-FF)	123 < X < 154	153 < X < 164	163 < X < 174
BOX 48 (3x FS-FF)	157 < X < 188	187 < X < 198	197 < X < 208

Peripheral information:

EC conformity: EC directive 2006/95/EC (Low voltage) as modified by directive 93/68/EEC (CE marking)