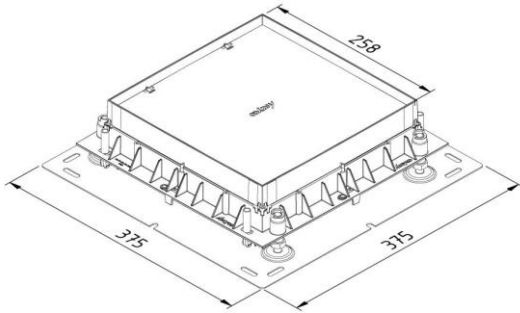


# Technical specifications

## ACC-LU-RF (Levelling unit raised floor)



Category:

ACC-LU-RF

Product features:

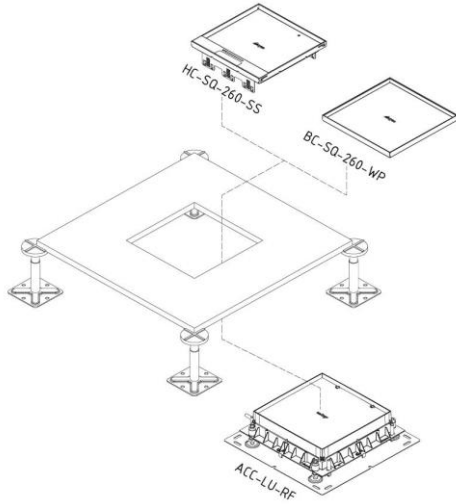
Material: PA6 reinforced fibre glass, flame retardant

Additional product information:

Fitted with fixation plate that has alignment grooves  
For the mounting of service units with straight border into floating floors  
Minimum height of floating floor 67 mm  
Maximum height of floating floor 130 mm  
Deviating levelling range possible, please make initial contact our technical department

| Execution:          |        | Polyamide reinforced fibre glass |               |                |               |              |      |                     |
|---------------------|--------|----------------------------------|---------------|----------------|---------------|--------------|------|---------------------|
| Product             | Number | Height<br>(mm)                   | Width<br>(mm) | Length<br>(mm) | Dim A<br>(mm) | Fmax<br>(kN) | Unit | Packaging<br>(unit) |
| FS-LU-34-260-RF-PAG | 15780  |                                  |               |                |               |              | ST   | 1                   |

Mounting instructions:



Peripheral information:

EC conformity: EC directive 2006/95/EC (Low voltage) as modified by directive 93/68/EEC (CE marking)